



## Optical Fiber Network

# FTTH OptiBox-24(PFC-24)

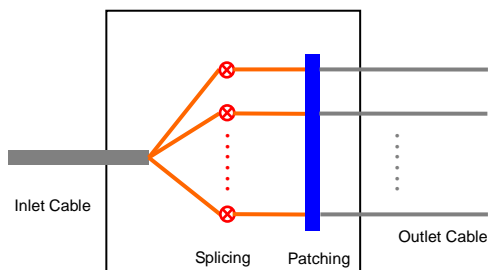
### Feature:

- Multipurpose optical closure for distribution, termination and splitting
- Suitable for indoor/outdoor fiber network distribution
- Compact size, light weight, easy to install; dedicated design for FTTH deployment
- Security screw lock
- Suitable for wall mount and pole installation
- IP55 protection and fire retardant (UL94V-0) material
- Accommodate PLC splitter
- 2 inlet ports, 24 outlet ports



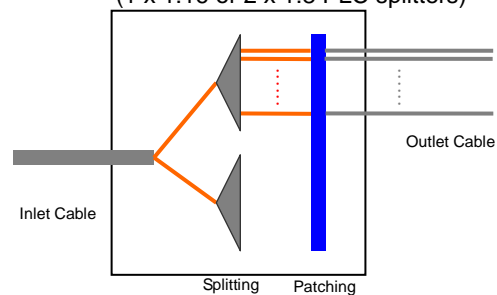
### Application:

As a Distribution Box:



As a Splitter Box:

(1 x 1:16 or 2 x 1:8 PLC splitters)



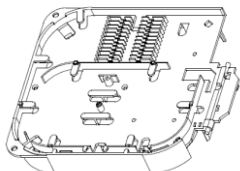


## Easy to Arrange:

Inner tray with double side. Allow fiber arrangement in different situations.

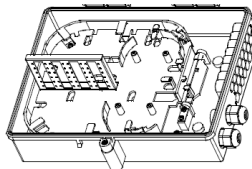
### Back side of inner tray:

- Fiber storage
- Splicing area



### Front side of inner tray:

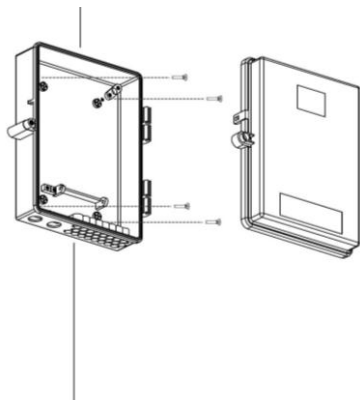
- Patching
- Cable arrangement
- Splitter storage



## Easy to Install

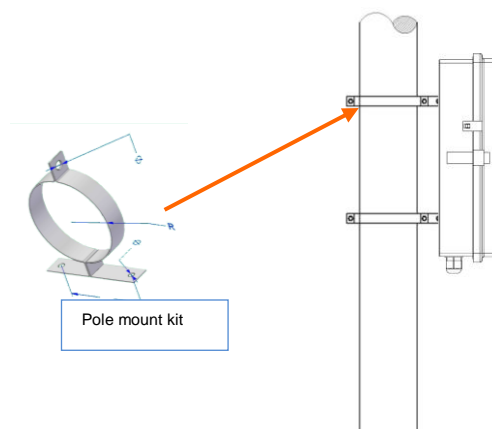
### Wall-mount:

- Suitable for indoor / outdoor wall mount
- Direct screw fixing, no special mounting kit is needed
- Item required: Self tapping screw, wall plug



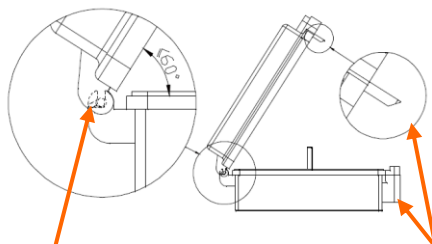
### Pole-mount

- Pre-installed nut for pole mounting
- Mounting kit for different pole size is available
- Item required: Pole-mount installation kit in suitable pole size



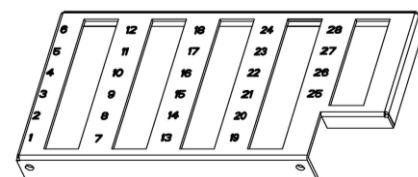
## Easy to Manage

All-rounded security, protection, numbering mechanism to consider your needs in network deployment



Cover plate can be removed at certain opening angle. Suitable for installation in dense equipment room.

Cover plate double locking system to ensure security and safety of fiber connection.



Numbered patchpanel as of your need



## Specification:

Parameter	Value
Dimension	302(H)x 256(W) x 95(D) mm
Weight	1.5 kg
Fiber capacity	Max. 24 Max. 48 (Ribbon fiber)
Adaptor capacity	Max. 28 (SC)
Connector type	SC,LC
Connector loss	0.2dB
Splicing method	Fusion, Mechanical
Inlet cable port	2
Inlet cable diameter	8~20mm
Outlet cable port	24
Outlet cable type	-Drop cable (2x3mm,2x4mm, Φ3.0mm); -Aerial drop cable (2x5mm, 2x6mm)

## Accessories:

### A. Fittings and installation accessories

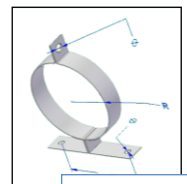
No.	Item	Description
FT-001-X	Pole mount kit	Customer made mount kit with specified pole size (X= required length)
FT-002	Self-tapping screw	For wall mount installation
FT-003	Hanging kit	For hanging installation at suspension wire
FT-004	Cable gland (S)	Cable diameter 8~11mm
FT-005	Cable gland (L)	Cable diameter 11~13.5mm
FT-006	Conduit adaptor	Fit for flexible conduit 20mm for cable protection

### B. Optical component

No.	Item	Description
OP-001	SC adaptor	Singlemode/multimode SC adaptor
OP-002	LC adaptor	Singlemode/multimode LC adaptor
OP-003	Pigtail	Singlemode/multimode pigtail. Please indicate required length when order
OP-004	Fan-out kit	Please indicate required Cable Length/No. of Fan-out/Adaptor Type when order
OP-005	Spiral wrapping band	For fiber protection
OP-006-X	PLC splitter	PLC splitter in ratio 1x2 ,1x4, 1x8,1x16
OP-007	Cable stopper	Fix and protect outlet cable
OP-008	Protective sleeve	For fusion splicing



SC adaptor



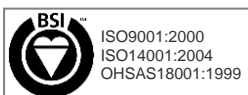
Pole mount kit



Conduit adaptor



Cable stopper



\* InfiniTe Cable System reserves the right to modify products and specifications without prior notice.

**InfiniTe**  
Cable System