

# Infinite™ Fiber

## High Capacity Distribution Box

### Features:

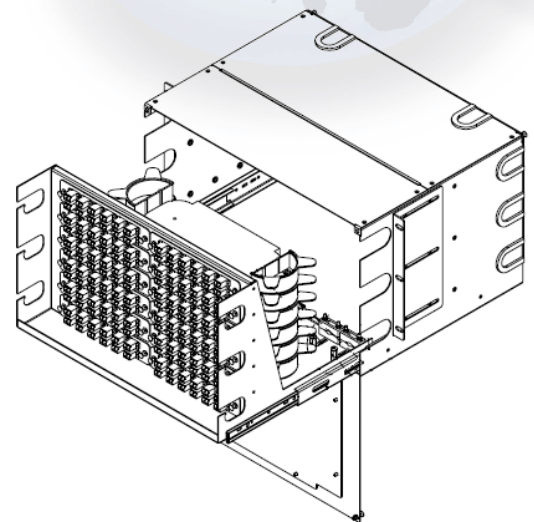
- Standard 19" rack mount design
- Suitable for fiber termination and distribution
- Fiber adapters and splicing trays are included
- Sliding drawer design for easy access
- Fiber capacity up to 288c
- Portable adaptor plate design for easy installation
- The front door and the back door can easy to remove
- 12 / 24 core splicing tray
- High quality electrostatic spray steel / aluminum material
- Large cable ring guide & cable access
- The U shape access holding can easy to fix the patch cords from the left or right
- Different types of adapters are available (e.g. SC / FC / LC / ST)
- Black or white colour is available
- Independent use, easily fix the cables and physical protection
- Short boot patch cord and pigtail are recommended

### Applications:

- Data center application
- School campus application
- Local area network
- Telecommunications system
- FTTX, GPON, NGN application



2U 48-Port (FC)

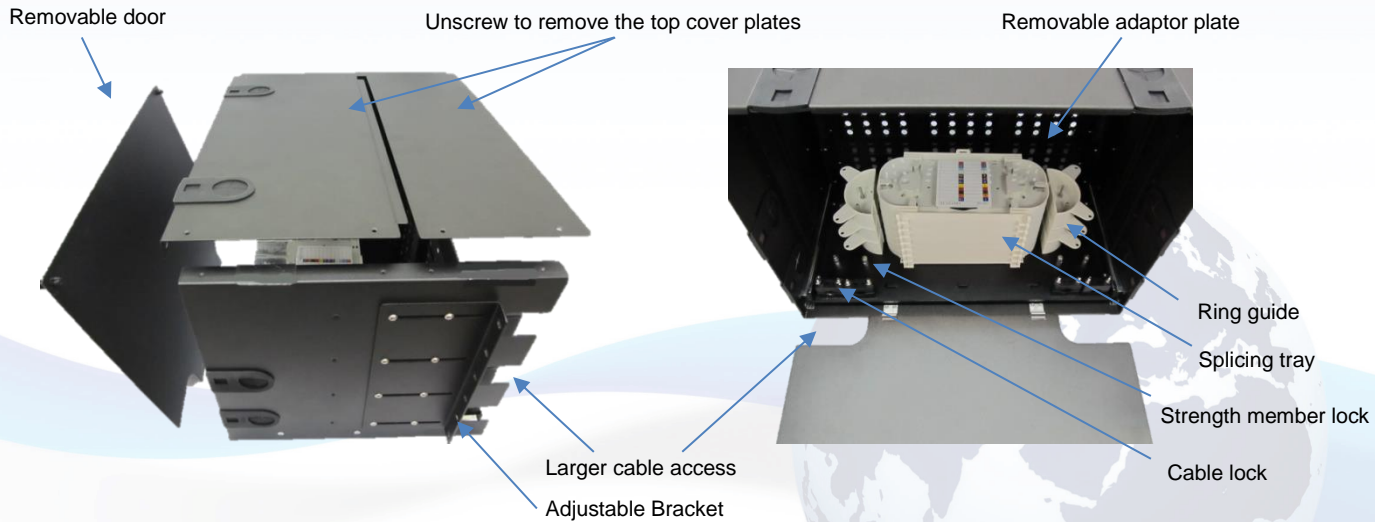


6U 288-Port (LC)

# Infinite™ Fiber

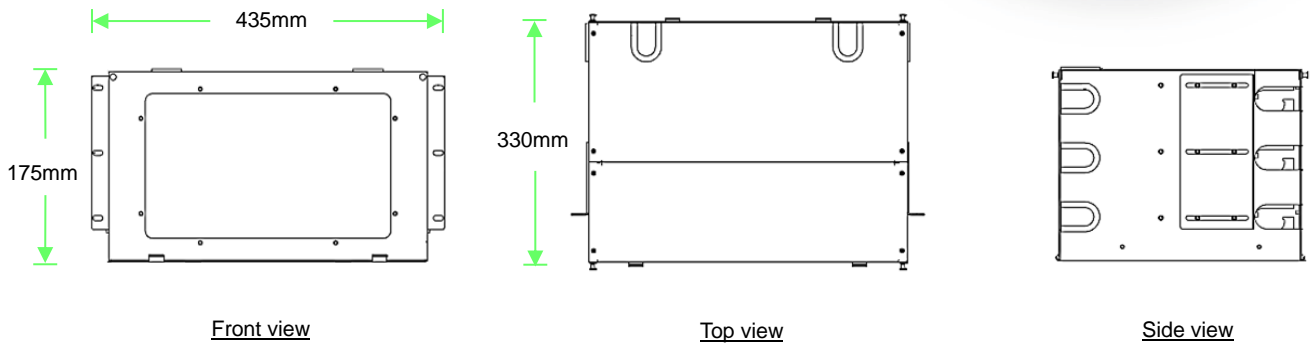
## Construction:

Example: 192-Port



## Dimension:

Example: 6U, 288-Port (LC) ODB



Description	Splicing trays	Dimension (mm) (W x D x H)	Rack Unit (RU)
48 Port Rack Mount Distribution Box	2	482 x 330 x 86	2
96 Port Rack Mount Distribution Box	4	482 x 330 x 175	4
144 Port Rack Mount Distribution Box	6	482 x 330 x 260	6
192 Port Rack Mount Distribution Box	8	482 x 330 x 310	8
144 Port LC Rack Mount Distribution Box	6	482 x 330 x 132	3
192 Port LC Rack Mount Distribution Box	8	482 x 330 x 175	4
288 Port LC Rack Mount Distribution Box	12	482 x 330 x 260	6

## Ordering Information:

Part No.	Product code	Description	Remark
INF2531 – <b>A F N</b>	-	High Capacity Rack Mount Distribution Box	-
INF2531 – FS048	INF2531-02148	FC SM 48-port Rack Mount Distribution Box	Example
INF2531 – FS096	INF2531-02096	FC SM 96-port Rack Mount Distribution Box	Example
INF2531 – FS144	INF2531-02144	FC SM 144-port Rack Mount Distribution Box	Example
INF2531 – LS192	-	LC SM 192-port Rack Mount Distribution Box	Example
INF2531 – LS288	-	LC SM 288-port Rack Mount Distribution Box	Example
INF2531 – LS384	-	LC SM 384-port Rack Mount Distribution Box	Example

Options	
<b>A</b> -Adaptor Type	<b>F</b> = FC ; <b>L</b> = LC ; <b>S</b> = SC ; <b>T</b> =ST < Follow in alphabetical order >
<b>F</b> -Fiber type	<b>S</b> = Single mode ; <b>6</b> = OM1(62.5/125) ; <b>5</b> = OM2 (50/125) ; <b>3</b> = OM3
<b>N</b> -Number of port	<b>048 / 072 / 096 / 144 / 192 / 288 / 384</b>