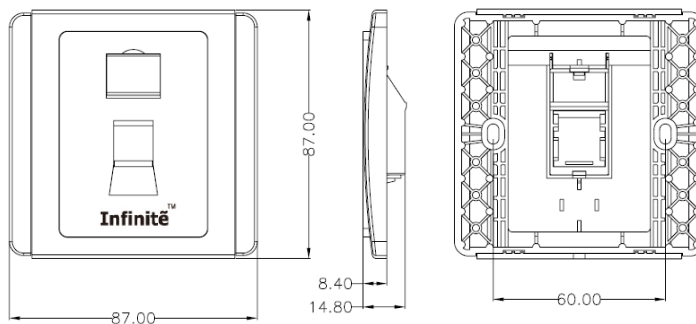


Infiniṭē™

Faceplate (86x86mm Type)

Features:

- Infiniṭē Faceplate is designed to accept UTP Keystone Jack
- Stylish design with 2 colors (White and Sliver)
- 1 and 2 port versions
- Protected labeling facility
- Screws provided
- Material: Flame Retardant ABS UL94V-0



Ordering Information:

Order no.	Description
FP-101-XX	86x86mm Faceplate 1 Port
FP-102-XX	86x86mm Faceplate 2 Port
XX= Color Code	(WH = White, SL = Sliver)



* Infiniṭē Cable System reserves the right to modify products and specifications without prior notice.