

Infini^{tilde} Fiber

Field Assembly Optical Connector

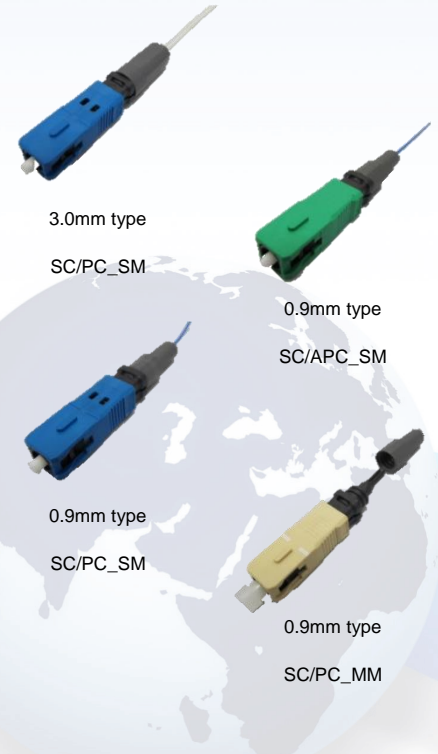
(FAOC)

Features:

- Compatible with conventional SC connector.
- No power supply. No polishing. No adhesive.
- Suitable for field termination of bare fiber (250µm) or tight buffer fiber (900µm)
- Quick and easy fiber termination
- Available to re-use
- Simple assembly process
- Field Assembly Optical Connector offers a faster way to terminate fiber connector on-site.

Applications:

- Data center application
- School campus application
- Optical Cable Interconnection
- Telecommunications
- FTTX, GPON, NGN
- Cable Television
- Fiber Distribution Frame



Specification:

(It conforms to the requirement of TIA/EIA 604-3)

Parameter	Unit	Value	
Fiber Type	-	SM : Single mode Fiber	
		MM : Multi mode Fiber (OM1,OM2,OM3,OM4)	
Connection Type	mm	0.9 : Tight buffer fiber	
		3.0 : Round type FTTx drop cable	
Adaptor Type	-	SC	
Ferrule Polishing Type	-	PC	APC
Insertion Loss (Average)	dB	≤0.3	
Insertion Loss (Maximum)		0.5	
Return Loss (Average)		≥50	≥55
Return Loss (Maximum)		55	60
Tensile Strength (≤0.2dB)	Kgf	0.75	
Temperature Change (≤0.3dB)	°C	-20 ~ +70	
No. of re-termination (Minimum)	times	3	

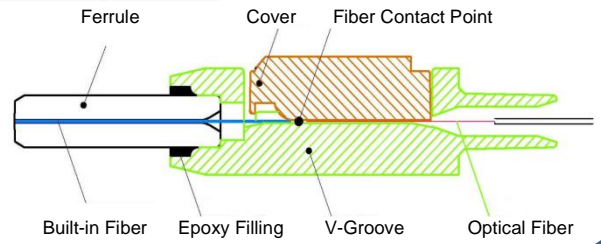
Infinite Fiber

Mechanism of FAOC:

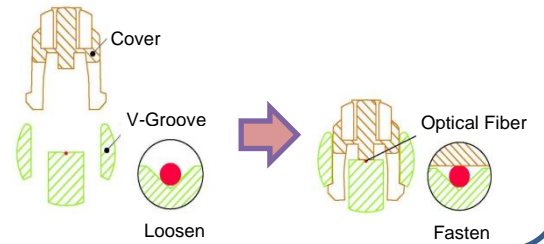
Example : 0.9mm type SC/UPC SM



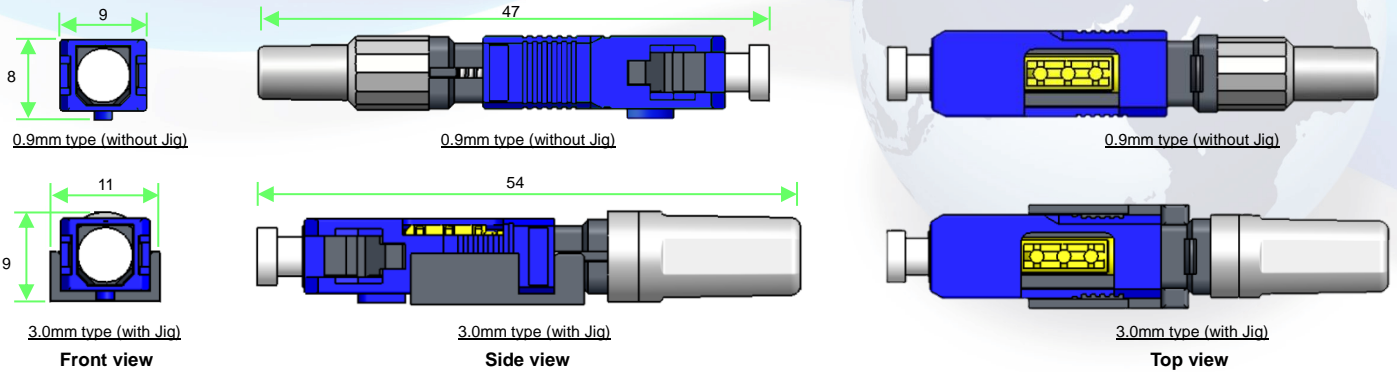
Fiber Alignment:



Fiber Alignment:



Dimension:



Easy Installation Procedure:

Example : 3.0mm type SC/UPC SM

*Indication only.
For detail installation manual or technical information, please contact nearest sales.



1: Stripping with specified length



2: Clean & cut the fiber



3: Fiber insertion & push the hold button to fix the fiber



4: Tighten the boot



Complete FAC for cable.

Ordering Information:

Part No.	Product code	Description	Remark
INF4121 - P F D Z	FTTH-121#	SC FAOC	-
	FTTH-123#		
	FTTH-125#		
INF4121 - PS091	FTTH-12191	SC/PC SM 0.9mm type FAOC (100pcs)	Example
INF4121 - PS302	FTTH-12502	SC/PC SM 3.0mm type FAOC (1000pcs)	Example
Options			
P -Polishing (Ferrule)	A = APC ; P = PC		
F -Fiber type	<SM> S= SM ; <MM> 3= OM3 ; 4= OM4 ; 5= OM2 (50/125) ; 6= OM1(62.5/125)		
D -Diameter (mm)	09 =0.9mm type ; 30 =3.0mm type.		
Z -Package	1 =100pcs per box ; 2 =1000pcs per box		

(Remarks: Other connector types are available upon request)